

STANLEY
Engineered Fastening



**PB2500N Cordless NeoBolt®
1/4" and 5/16" Lockbolt Tool**

Powerful, fast & lightweight cordless tool designed to place Avdel® NeoBolt lockbolts

STANLEY
Assembly Technologies

PB2500N

20V Cordless 1/4" and 5/16" NeoBolt® Lockbolt Tool

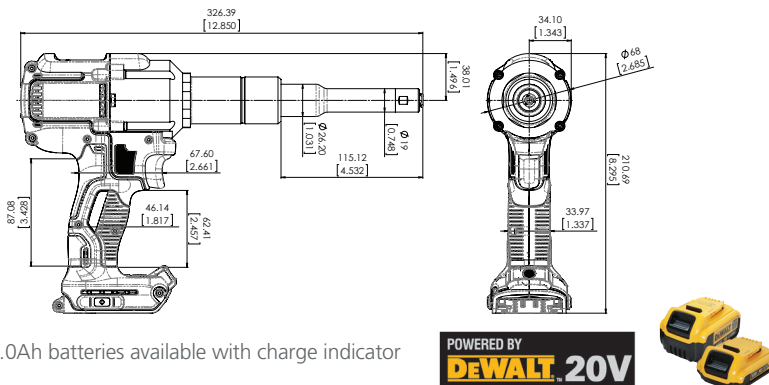
Lightweight, cordless NeoBolt® lockbolt tool maximizes placing capability, ensures optimum productivity, and reduces installation cost.

Long lasting: Places 2400 Aluminium 1/4" NeoBolt with 4.0Ah battery (600 per Ah, 1600 Steel 1/4" NeoBolt with 4.0Ah battery (400 per Ah) and 1060 Aluminum 5/16" NeoBolt with 4.0Ah battery (265 per Ah).

Easy to use: Quick release nose housing and collet, quick slide battery installation, push button for easy removal of the battery from the tool, ergonomic soft grip handle for operator comfort, low force single finger trigger system.

Warranty: 2 years in total (1 year & 1 year extension if the tool is registered online at www.stanleyengineeredfastening.com/support/warranty-registration-form)

Dimensions



4.0Ah batteries available with charge indicator

Descriptions & Part Numbers

Part Number	Description
PB2500N-NA2042	Neobolt Battery Tool Kit - US
65120-00022*	26mm Neobolt Nose Assy 1/4"
65120-00023*	19mm Neobolt Nose Assy 1/4"
65120-00040*	26mm Neobolt Nose Assy 5/16"
65120-00041*	19mm Neobolt Nose Assy 5/16"

* Available to purchase separately

Specifications

Dimensions:** LxH 326 mm x 210 mm (without battery)

Battery: DEWALT 20V Li-Ion 4.0Ah, delivered with the tool

Charger: DEWALT DCB115, with progress lamp display, 30 minute charge time (4.0Ah)

Tool stroke: 25 mm

Pulling force: 8,900 N

Noise level: 75 dB(A)

Vibration level: < 2.5m/s²

Capacity: NeoBolt® lockbolts ø 1/4" (6.4mm) and 5/16" (7.9mm)

Weight: 2.36kg with 4.0Ah battery

** Dimensions shown are for 1/4" 19 mm nose assembly piece and may vary for other sizes

Kit contents

- 1 x PB2500N tool
- 2 x Batteries (20V Lithium-Ion 4.0Ah)
- 1 x Charger
- 1 x Instruction Manual
- 1 x ToughSystem® toolbox

Placing Capacity

Rivet Type	1/4"	5/16" ¹
Steel	•	-
Aluminium	•	•

¹ Requires 5/16" Nose piece